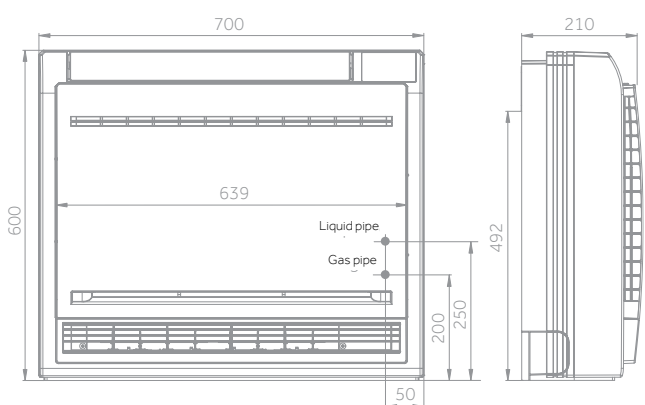


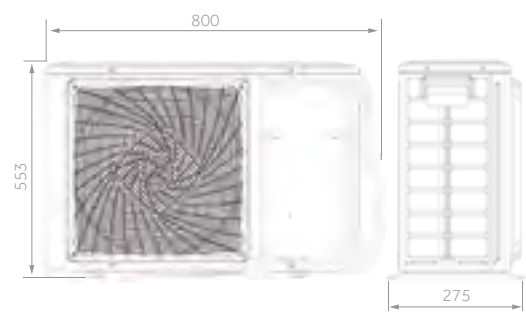


MATT DESIGN: OPAQUE

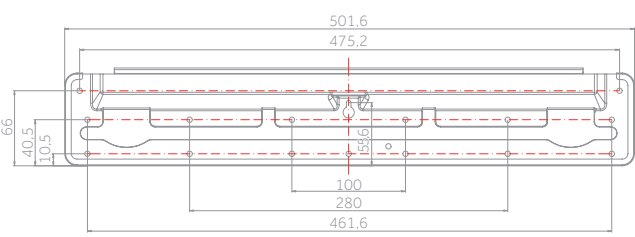
AF25 - AF35 - AF42



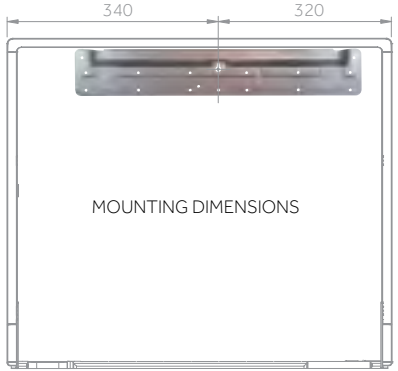
1U25 - 1U35 - 1U42



MOUNTING DIMENSIONS



MOUNTING DIMENSIONS



2.5 kW

3.5 kW

4.2 kW

Residential MonoSplit Inverter CONSOLE

Haier

2.5 kW

3.5 kW

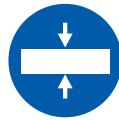
4.2 kW



Silence



Double flow



Compact design



Sleep



Optional Wi-Fi



Standard YR-HBS01

- Low noise level
- Double airflow
- Compact design
- Sleep function for greater night time comfort
- Wi-Fi control (OPTIONAL) to remotely control the air conditioner

INDOOR UNIT	Model		AF25S2SD1FA	AF35S2SD1FA	AF42S2SD1FA
	Product code		2501421A2	2501422A2	2501424A2
OUTDOOR UNIT	Model		1U25S2SM1FA	1U35S2SM1FA	1U42S2SM1FA
	Product code		2502301T2	2502302T2	2502304T2
Performance data					
Output power - COOLING	nom (min-max)	kW	2.5 (0.8 - 3.2)	3.4 (1.0 - 4.0)	4.2 (1.4 - 4.5)
Output power - HEATING	nom (min-max)	kW	2.8 (0.8 - 3.8)	3.5 (1.0 - 4.5)	4.7 (1.4 - 5.0)
Power output - HEATING -7°C	nom (min-max)	kW	2.1	2.3	
Absorbed power - COOLING	nom (min-max)	kW	0.65 (0.2 - 1.3)	0.92 (0.3 - 1.5)	1.30 (0.5 - 1.6)
Absorbed power - HEATING	nom (min-max)	kW	0.95 (0.3 - 1.6)	1.05 (0.5 - 1.6)	1.50 (0.6 - 1.9)
Energy class	EER	w/w	3.8	3.6	3.23
	COP	w/w	3.23	3.46	3.11
COOLING Pdesign	35 °C	kW	2.5	3.4	4.2
HEATING Pdesign	(-10 °C)	kW	2.4	2.9	3.5
Energy class	SEER		8.0 (A++)	7.5 (A++)	7.0 (A++)
	SCOP		4.2 (A+)	4.2 (A+)	4.0 (A+)
Annual Energy Consumption - COOLING		kWh/a	115	150	258
Annual Energy Consumption - HEATING		kWh/a	798	962	1244
Indoor Unit					
Power supply		Ph/V/Hz	1/220-240/50	1/220-240/50	1/220-240/50
Treated air volume	H/ M / L	m³/h	450/400/350/300/250	500/450/400/350/300	580/530/480/430/380
Dehumidification		L/h	1.2	1.6	1.8
High sound power - COOLING		dB	52	55	58
High sound power - HEATING		dB	52	55	58
Sound pressure - COOLING		dB(A)	40/32/25/20	42/34/26/21	46/37/33/28
Sound pressure - HEATING		dB(A)	40/32/25/20	42/34/26/21	46/37/33/28
Net dimensions	WxDxH	Mm	700x210x600	700x210x600	700x210x600
Net weight		Kg	16.5	16.5	16.5
Outdoor Unit					
Power supply		Ph/V/Hz	1/220-240/50	1/220-240/50	1/220-240/50
Sound power	H	dB	59	61	61
Sound pressure	H	dB(A)	47	48	48
Absorbed current	Max	A	7.2	7.2	9.8
Net dimensions	WxDxH	Mm	800x275x553	800x275x553	800x275x553
Net weight		Kg	29	31.5	31.5
Installation data					
Refrigerant			R32	R32	R32
Liquid pipe	∅	Mm	6.35	6.35	6.35
Gas pipe	∅	Mm	9.52	9.52	9.52
Standard pipe length without refrigerant charge		M	7	7	7
Maximum pipe length		M	15	15	15
Maximum IU - OU elevation		M	10	10	10
Refrigerant charge in the factory		Kg	0.65	0.94	0.94
Operating limits - COOLING	min-max	°C	21-35°C (in) / -10-43°C (out)	21-35°C (in) / -10-43°C (out)	21-35°C (in) / -10-43°C (out)
Operating limits - HEATING	min-max	°C	10-27°C (in) / -15-24°C (out)	10-27°C (in) / -15-24°C (out)	10-27°C (in) / -15-24°C (out)